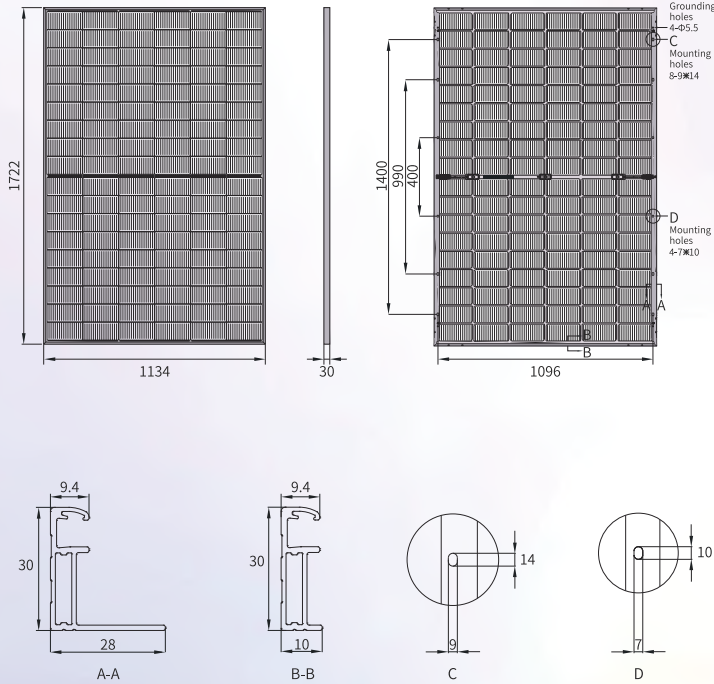


Bifacial Dual Glass TOPCon Module

JNBN108-435~445

ENGINEERING DRAWING



MECHANICAL PARAMETERS

Cell (mm)	182.2*91.875 TOPCon
Dimensions (L*W*H) (mm)	1722*1134*30
Weight (kg)	24.8
Cable Cross Section Size (mm ²)	4
No. of Cells & Connections	108(6*18)
No. of Diodes	3
Frame	Anodized Aluminium Alloy
Glass Thickness (mm)	2.0
Manufacturer:	JINNENG CLEANENERGY TECHNOLOGY LTD.:PV-JN01
Type of Connector	Stäubli-ElectricalConnectors-AG: PV-KST4-EVO2/xy-UR, PV-KBT4-EVO2/xy-UR

QUALIFICATION

Temperature Cycling Range (°C)	-40~+85
Max. Series Fuse Rating (A)	30
Max.Wind Load/Max.Snow Load (Pa)	2400/5400
Fire Rating	Class C
Junction Box & Connector Protection Grade	IP68
Bifacial Factor(%)	80±5

TEMPERATURE COEFFICIENTS

Nominal Module Operating Temperature (NMOT)	43±2°C
Temperature Coefficient Voltage (Voc)	-0.25 %/°C
Temperature Coefficient Current (Isc)	0.045 %/°C
Temperature Coefficient Power (Pm)	-0.29 %/°C

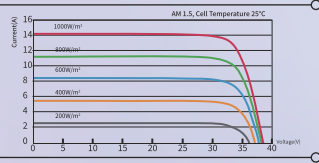
ELECTRICAL PARAMETERS

Module Type (1500V DC)	JNBN108-435	JNBN108-440	JNBN108-445
STC AM1.5 1000W/m ² Cell Temperature 25°C	Max. Power at STC (Pmpp/W)	435	445
	Output Tolerance (W)	0~+5	0~+5
	Max. Power Voltage (Vmp/V)	32.38	32.56
	Max. Power Current (Imp/A)	13.44	13.52
	Open Circuit Voltage (Voc/V)	38.70	38.88
	Short Circuit Current (Isc/A)	14.08	14.16
Module Efficiency (%)	22.28	22.53	22.79
BNPI AM1.5 135W/m ² Cell Temperature 25°C BIFACIAL OUTPUT-Backside (Power Gain)	Max. Power (Pmpp/W)	482.0	487.5
	Max. Power Voltage (Vmp/V)	32.38	32.56
	Max. Power Current (Imp/A)	14.89	14.98
	Open Circuit Voltage (Voc/V)	38.70	38.88
	Short Circuit Current (Isc/A)	15.60	15.69
	Module Efficiency (%)	24.68	24.97

Bifaciality coefficient: φPmax:80±5%;φVoc:98±5%;φIsc: 80±5%.

*Measurement tolerance:Pmax:±3%, Voc:±3%;Isc: ±5%.

I-V CURVE (435W)



PACKING CONFIGURATION

Pieces Per Pallet	36
Pallets Per Container	26
Pieces Per Container	936

DEFAULT

OPTIONAL

Cable Length	<input type="checkbox"/> 350mm/280mm	<input type="checkbox"/> Customized
Frame Color	<input type="checkbox"/> Silver	<input type="checkbox"/> Black



TUV: IEC/EN 61215, IEC/EN 61730
GB/T 19001-2016/ ISO 9001:2015
GB/T 24001-2016/ ISO 14001:2015
GB/T 45001-2020/ ISO 45001:2018
CNAS-CL01: ISO/IEC 17025:2017

15-year Product materials and workmanship quality warranty

Output power			
The 1st year	The 15th year	The 30th year	
≥99.00%	≥93.40%	≥87.40%	

CAUTION: The electrical parameters in this product datasheet do not refer to only one module. Read safety and installation instructions before using the product. The contents of this specification are for reference only and are subject to change without notice. Jinery reserves the right of final interpretation. JNM-20240809-14.1T © 2024 JINNENG CLEAN ENERGY TECHNOLOGY LTD. ALL RIGHTS RESERVED. Made in China

